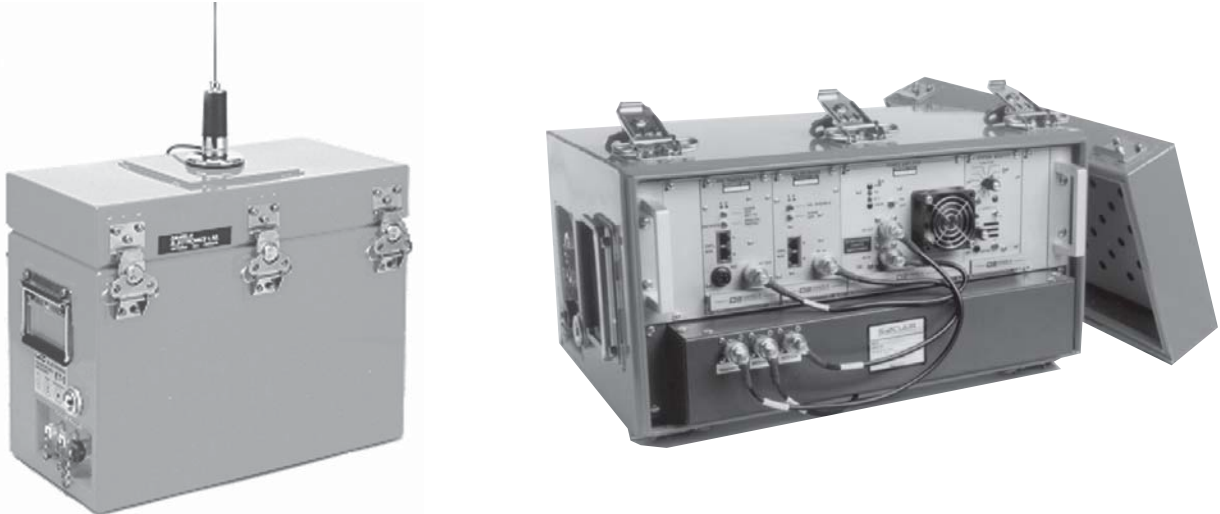


TN710 ET-3 Transportable Radio System Case

The ET-3 transportable radio system case is a rugged, waterproof aluminum case. Any standard 19" Daniels Electronics subrack can be mounted inside for repeater, crossband or base configurations.



The ET-3 case includes the following:

- 19" internal mounting frame for subrack and duplexers.
- smooth tamperproof and lockable latches.
- spring retracted stainless steel handles.
- pressure relief valve.
- pressure sealed RF and power inputs.
- metal cover on lid for magnetic mount antennas.
- optional internal AC to DC power supply.

The transportable radio case is 21" wide, 11" high and 15" deep, and weighs 10 lbs. empty (35 lbs. with typical radio package installed).

Frequency band	RF Power Output	Internal duplexer frequency separation
AM	1.0 - 3.0 Watts	No duplexer available
Lowband VHF	0.5 - 3.0 Watts	No duplexer available
Highband VHF	0.5 - 8.0 or 30 Watts	≥ 2.0 MHz separation
400 MHz UHF	0.5 - 8.0 or 30 Watts	≥ 4.5 MHz separation
800 MHz UHF	0.5 - 3.0 Watts	≥ 45 MHz separation

There are several different versions of the ET-3 case:

ET-3-03-00	Orange Transportable Case (Standard).
ET-3-03-05	Black Transportable Case (Standard).
ET-3-03-20	Orange Transportable Case with a larger lid for the Iridium® Satellite Telephone System.
ET-3-03-25	Black Transportable Case with a larger lid for the Iridium® Satellite Telephone System.

43 Erie Street
Victoria, B.C.
Canada V8V 1P8

Toll Free Canada & U.S.A.
Phone: 1-800-664-4066
Fax: 1-877-750-0004

International
Phone: 250-382-8268
Fax: 250-382-6139

Internet
Email: sales@danelec.com
Web: www.danelec.com

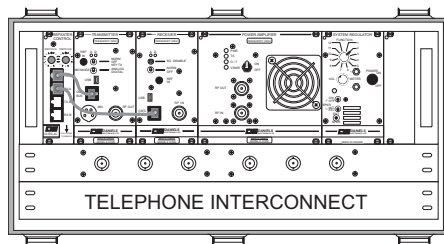
TN710 ET-3 Transportable Radio System Case

The A-PK-IRIDIUM Parts Kit can also be added to the Transportable case for use with the Iridium® Satellite Telephone System as shown in Figure 1. The Inmarsat® Satellite Telephone System will also interconnect with the Daniels radio system (contact the factory for more information).

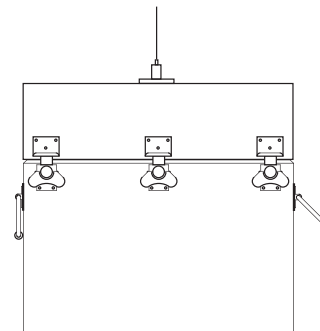
Iridium®

IRIDIUM® SATELLITE TELEPHONE
MOUNTED ON THE INSIDE OF
TRANSPORTABLE CASE LID

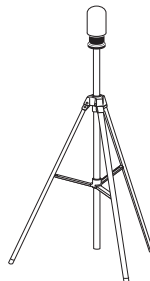
TOP VIEW OF
TRANSPORTABLE CASE
WITH LID REMOVED



SIDE VIEW OF
TRANSPORTABLE CASE



IRIDIUM® REQUIRES
EXTERNAL ANTENNA MOUNTING



VIEW OF INSIDE LID OF
TRANSPORTABLE CASE

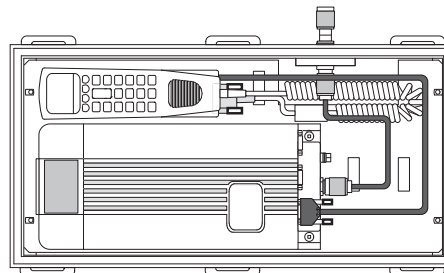


Figure 1: Iridium® Satellite Telephone Mounting Diagrams

Inmarsat® is a registered trademark of the International Maritime Satellite Organization (IMSO) licensed to Inmarsat Ltd.
Iridium® is a registered trademark of Iridium Satellite LLC.

43 Erie Street
Victoria, B.C.
Canada V8V 1P8

Toll Free Canada & U.S.A.
Phone: 1-800-664-4066
Fax: 1-877-750-0004

International
Phone: 250-382-8268
Fax: 250-382-6139

Internet
Email: sales@danelec.com
Web: www.danelec.com