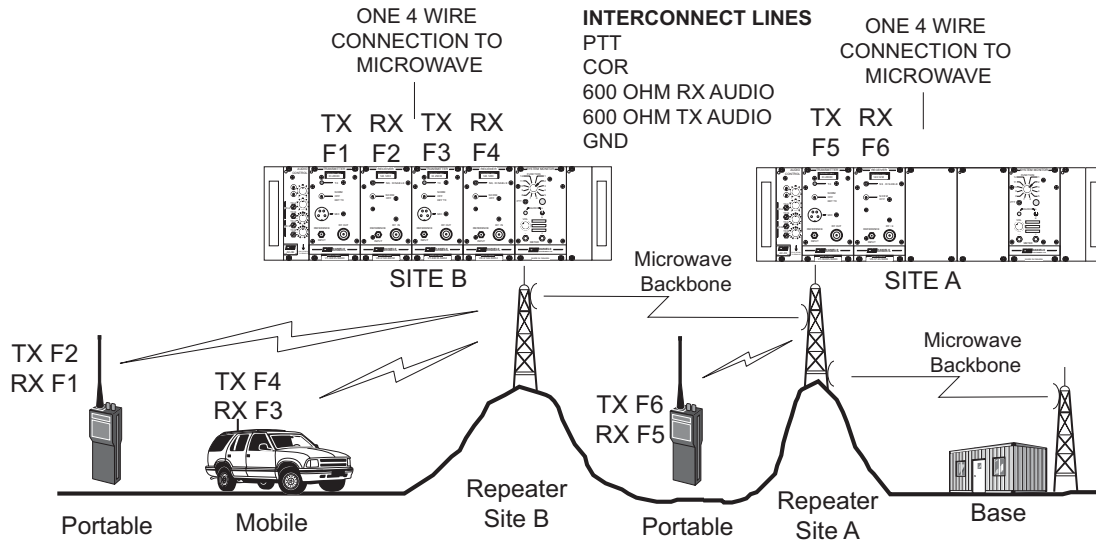


**AN700 Microwave Backbone System**

**FM Voice Radio Systems**

**“Local Coverage with a Microwave Backbone”**



**Requirement**

A microwave backbone communications system requires multiple local coverage channels.

**Solution**

Daniels AC-3E control module provides a convenient method to interface two E & M connections to each set of radios in a subrack. The card allows a microwave channel to selectively access local coverage radios at multiple sites. The local radio is typically selected by a tone signalling method, i.e. DTMF or Tone Remote. The local may operate as a repeater in a "normal" mode and would be addressed through the microwave / dispatch in a "remote" mode.

**Frequency Bands / RF Power Output**

- 30 - 50 MHz / 3, 40, 100, 250 Watts
- 132 - 174 MHz / 8, 30, 100 Watts
- 406 - 470 MHz / 2, 8, 30, 100 Watts
- 806 - 869 MHz / 3 Watts
- 896 - 960 MHz / 3 Watts

**Related Applications**

- AN300 Multiple Linked Repeater System
- AN410 Crossband Link Repeater System

**Available Options / Features**

CTCSS, DTMF, DCS, Telephone Interconnect, Multiple Channels

43 Erie Street  
Victoria, B.C.  
Canada V8V 1P8

Toll Free Canada & U.S.A.  
Phone: 1-800-664-4066  
Fax: 1-877-750-0004

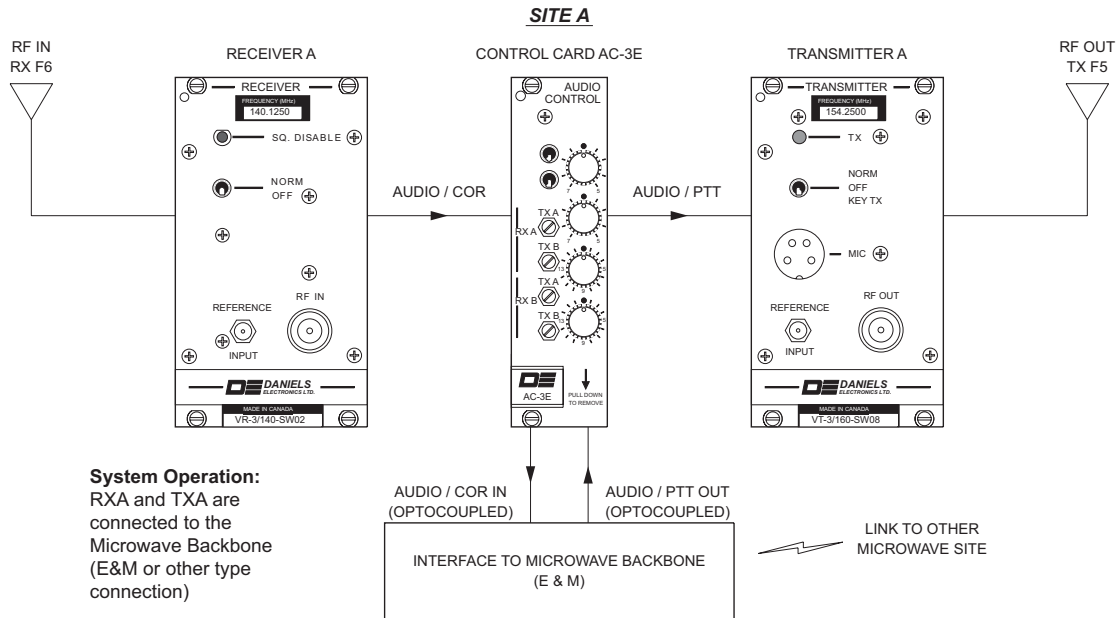
International  
Phone: 250-382-8268  
Fax: 250-382-6139

Internet  
e-mail: sales@danelec.com  
web: www.danelec.com

AN700 Microwave Backbone System

“Local Coverage with a Microwave Backbone”

System Block Diagram



Sample Block Diagram of a Local Repeater with Microwave Backbone

Required Equipment

- xT-3/xxx-xxxxxx VHF / UHF Transmitter Module
- xR-3/xxx-xxxxxx VHF / UHF Receiver Module
- SR-39-1 Subrack
- SM-3-H0-014-00 System Monitor
- A-MIC-01 Microphone
- IMxx-xxxxxxx Instruction manuals
- AC-3E Audio Control Card
- A-PNL-AUX96-3 Auxiliary 96 pin Connector

Optional Equipment

- AMP-2/xxx-30-00 30 Watt Power Amplifier
- SM-3-H0-MVx-00 System Monitor with analog meter
- AC-CTCSS-DE1 CTCSS decoder / encoder modules
- PSA-12A09-P0-00 AC Power Supply
- PSD-15/08-P0-xx DC to DC Power Supply